

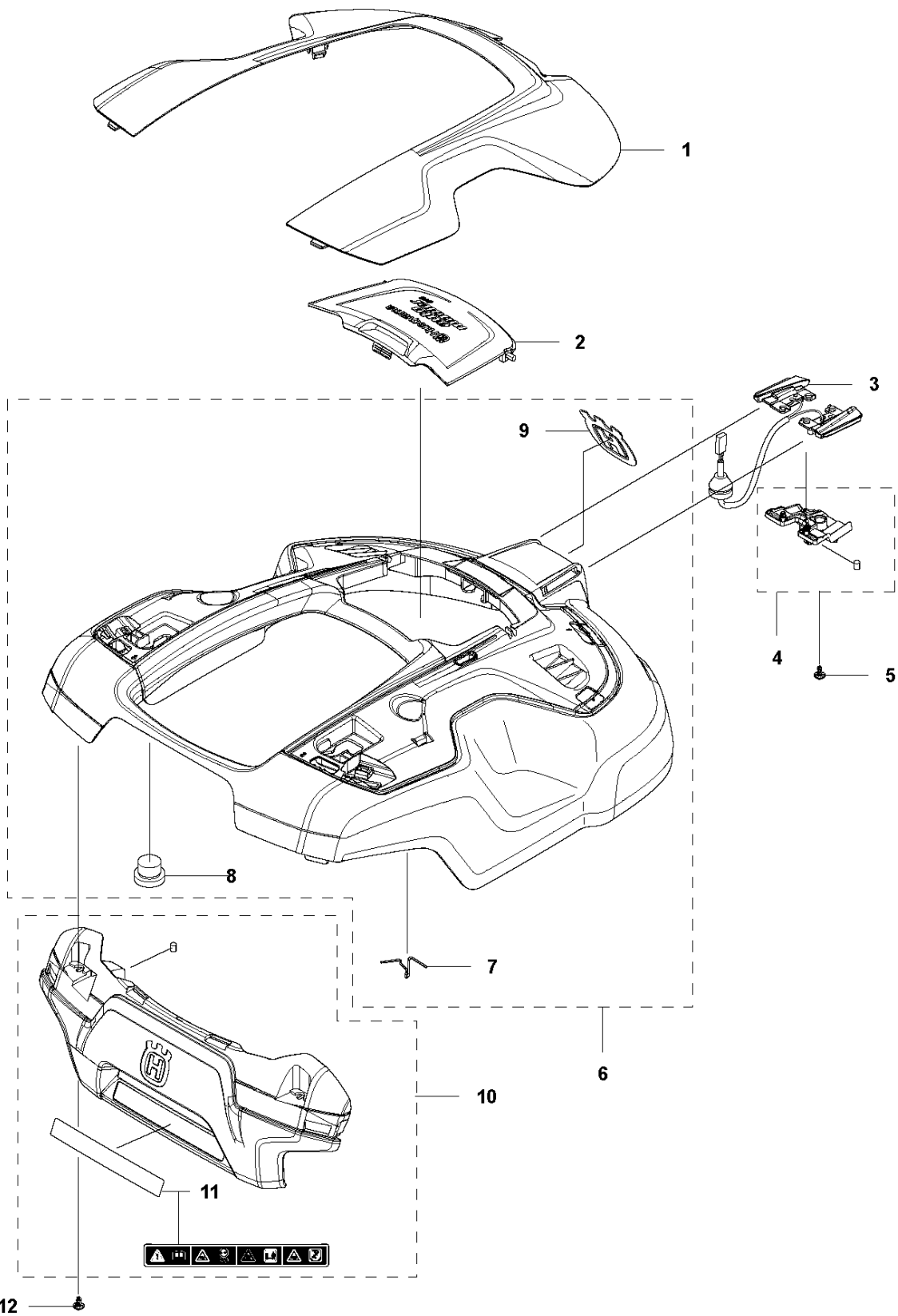


# SPARE PARTS LIST

ROBOTIC LAWN MOWERS

AUTOMOWER 310, 2020-

**A** AUTOMOWER 310, 315  
COVER

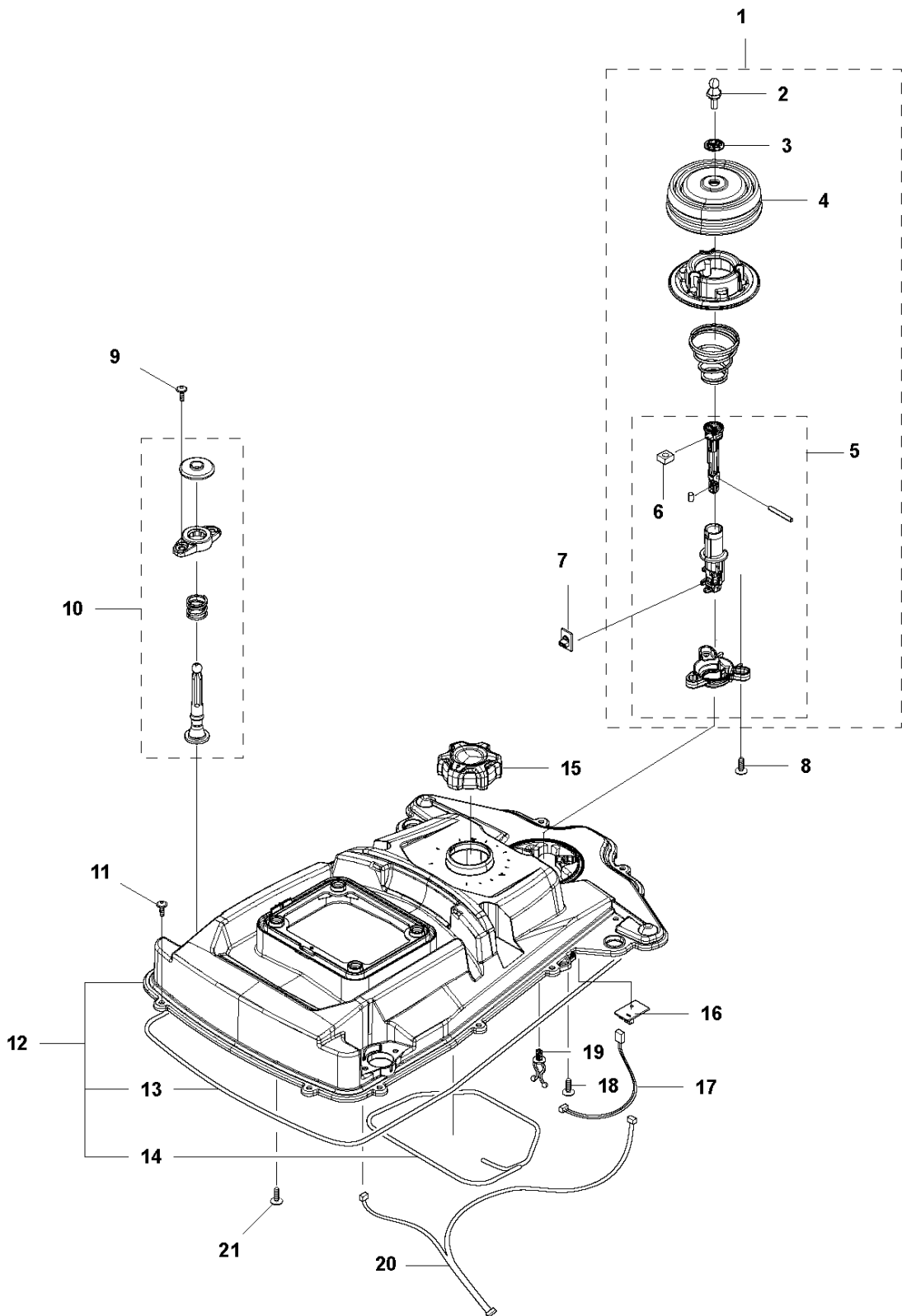


## COVER

AUTOMOWER 310, 2020-

Ref	Part No	Description	Remark	QTY KIT
1	587 23 58-01	BODY KIT	Top Cover Grey	1
1	587 23 58-02	BODY KIT	Top Cover White	1
1	587 23 58-03	BODY KIT	Top Cover Orange	1
2	585 53 81-01	HOOD	Hood 310	1
2	585 53 81-02	HOOD	Hood 315	1
3	585 53 92-04	CABLE ASSY	Charging Plate Wiring	1
4	587 44 86-02	HOLDER KIT	Holder KIT	1
5	574 45 01-01	SCREW ITPANT	Screw	1
6	587 44 85-01	BODY KIT	Body ASSY	1
7	587 41 94-02	SPRING	Spring Hood	1
8	580 52 68-01	CAP	Cap Snaploc	3
9	574 38 21-01	DECAL	Crown	1
10	587 44 87-01	BUMPER	Bumper ASSY	1
11	586 35 97-01	LABEL	Label Warning	1
12	574 45 01-01	SCREW ITPANT	Screw	2

**B** AUTOMOWER 310, 315  
CHASSIS UPPER

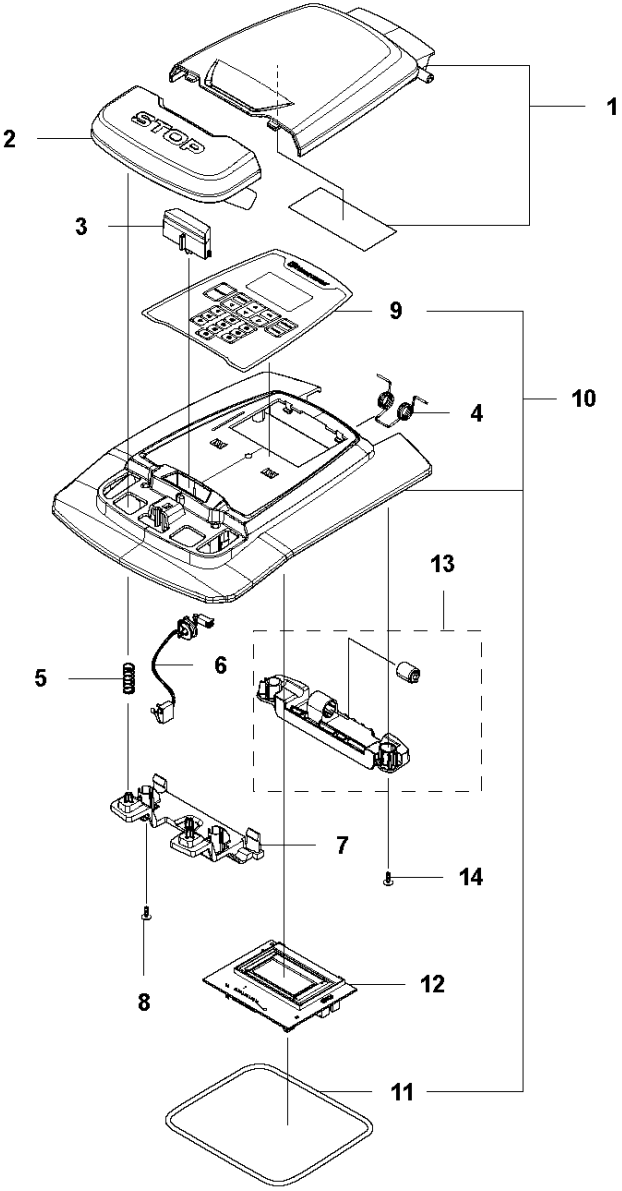


## CHASSIS UPPER

AUTOMOWER 310, 2020-

Ref	Part No	Description	Remark	QTY KIT
1	581 62 09-03	JOYSTICK KIT	Joystick KIT Front	1
2	580 52 67-01	STUD	Stud	1
3	579 52 57-01	WASHER	Washer	1
4	579 47 46-01	BELLOWS	Bellows	1
5	587 44 88-02	JOYSTICK KIT	Joystick ASSY	1
6	503 22 66-01	SQUARE NUT	Square Nut	1
7	592 85 23-01	PRINTED CIRCUIT ASSY	PCBA Lift Sensor	1
8	575 54 33-14	SCREW	Screw	3
9	574 45 01-01	SCREW ITXPANT	Screw	4
10	594 05 86-01	JOYSTICK ASSY	Joystick KIT Rear	2
11	574 45 01-01	SCREW ITXPANT	Screw	12
12	587 44 89-02	CHASSIS KIT	Chassis KIT	1
13	574 87 47-09	SEALING STRIP	Sealing Strip (1 pcs, 5 mm)	1
14	574 87 47-08	SEALING STRIP	Sealing Strip (1 pcs, 5 mm)	1
15	585 28 14-01	KNOB	Knob	1
16	592 90 95-01	PRINTED CIRCUIT ASSY	PCBA Collision Sensor	1
17	585 20 85-01	LOOM	Loom Lift-Collision	1
18	574 45 01-01	SCREW ITXPANT	Screw	3
19	580 68 29-01	HOLDER	Holder Twist Lock	3
20	588 79 78-01	WIRING ASSY	Loom	1
21	574 45 01-01	SCREW ITXPANT	Screw	4

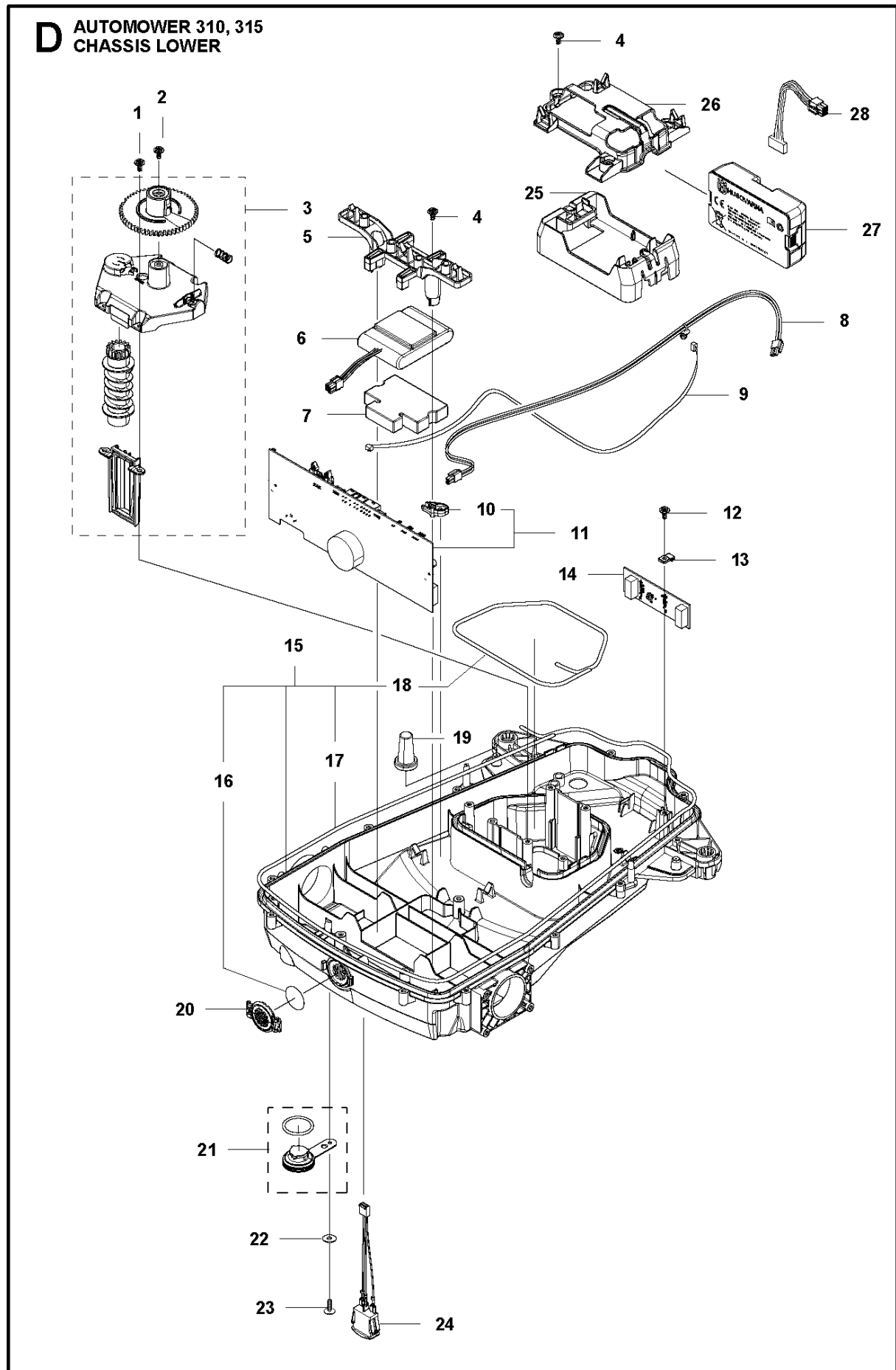
**C** AUTOMOWER 310, 315  
CENTER CONSOL



## CENTER CONSOL

AUTOMOWER 310, 2020-

Ref	Part No	Description	Remark	QTY KIT
1	587 65 13-01	HATCH KIT	Hatch KIT	1
2	585 27 56-01	BUTTON	Stop Button	1
3	585 27 59-01	LOCK	Lock	1
4	585 25 54-01	TORSION SPRING	Torsion Spring	1
5	576 24 22-01	SPRING	Spring	3
6	574 48 03-02	SWITCH	Switch	1
7	585 27 57-01	SUPPORT	Support Rear	1
8	575 54 33-14	SCREW	Screw	2
9	584 97 45-01	KEYBOARD	"Keyboard 2.1"" Display 310"	1
9	584 97 46-01	KEYBOARD	"Keyboard 2.8"" Display 315"	1
10	587 44 90-01	COVER KIT	"Cover KIT 2.1"" Display 310"	1
10	587 44 90-02	COVER KIT	"Cover KIT 2.8"" Display 315"	1
11	574 87 47-08	SEALING STRIP	Sealing Strip (1 pcs, 5 mm)	1
12	592 91 01-01	PRINTED CIRCUIT ASSY	"PCBA MMI 2.1"" Display 310"	1
12	592 91 02-01	PRINTED CIRCUIT ASSY	"PCBA MMI 2.8"" Display 315"	1
13	501 10 61-01	SUPPORT KIT	Support KIT	1
14	575 54 33-14	SCREW	Screw	2



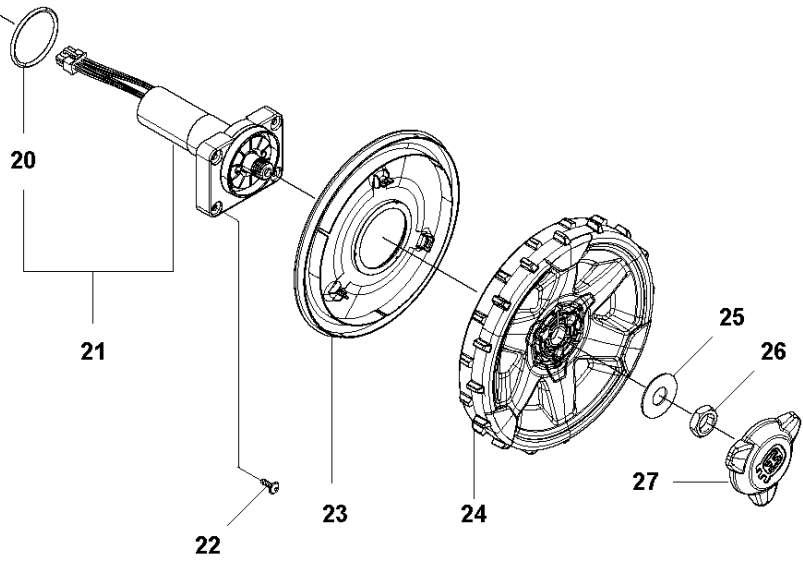
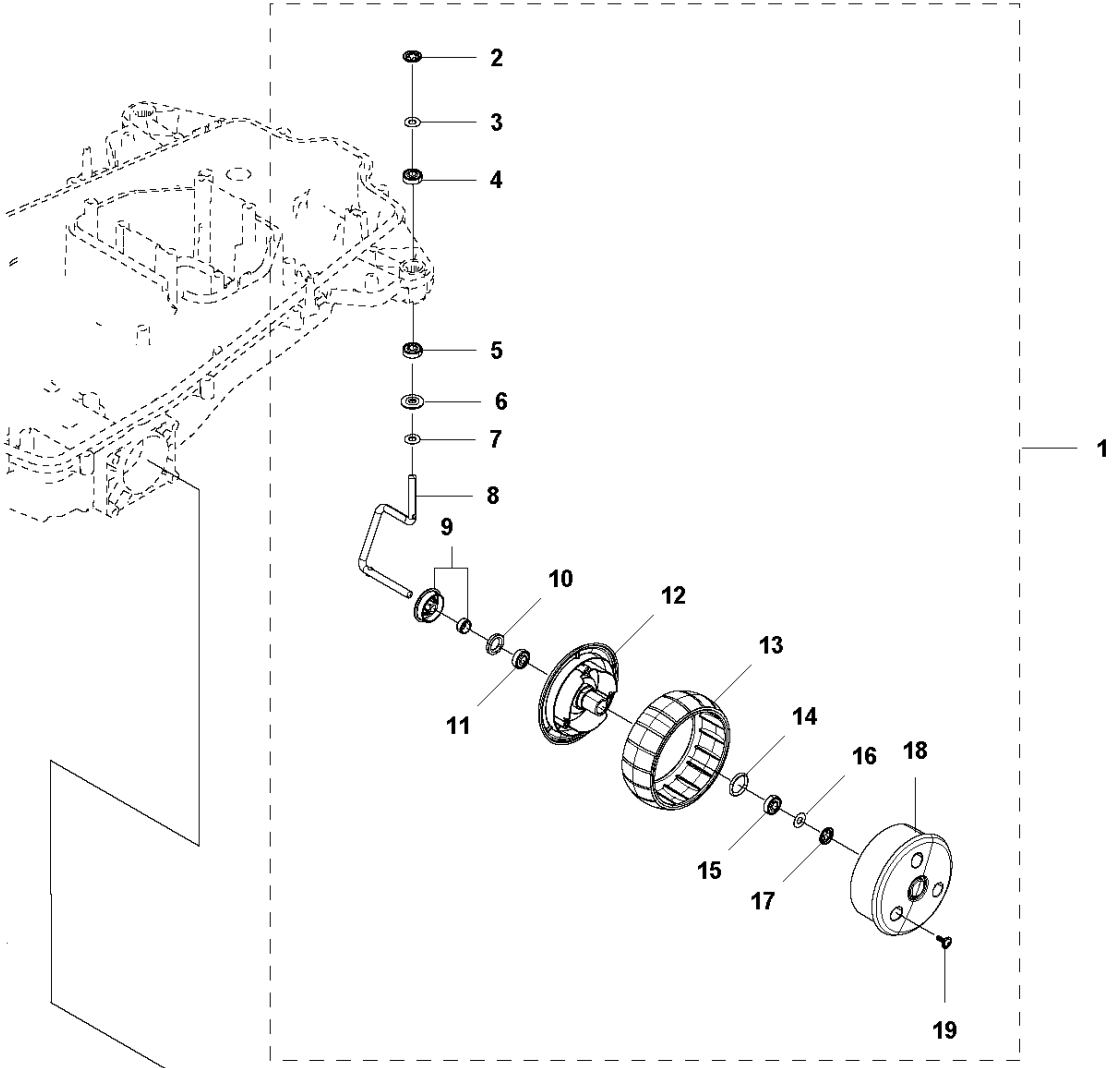


## CHASSIS LOWER

AUTOMOWER 310, 2020-

Ref	Part No	Description	Remark	QTY KIT
1	574 45 01-01	SCREW ITXPANT	Screw	1
2	574 45 01-01	SCREW ITXPANT	Screw	4
3	501 10 66-01	COVER KIT	Cover KIT	1
4	574 45 01-01	SCREW ITXPANT	Screw	2
5	585 30 47-01	HOLDER	Holder Battery	1
6	589 58 62-01	BATTERY	Battery	1
7	593 25 30-01	WEIGHT	Weight	1
8	585 53 90-01	LOOM	Loom Charging	1
9	579 70 82-01	WIRING ASSY	Loom Loop Sensor	1
10	585 53 83-01	CLIP	Clips	2
11	592 85 18-01	PRINTED CIRCUIT ASSY	Main Board	1
12	574 45 01-01	SCREW ITXPANT	Screw	1
13	579 52 94-01	CLAMP	Clamp	1
14	592 85 27-01	PRINTED CIRCUIT ASSY	Sensor Board	1
15	587 44 92-03	CHASSIS KIT	Chassis Lower KIT	1
16	577 75 37-01	AIR FILTER	Air Filter	1
17	574 87 47-09	SEALING STRIP	Sealing Strip (1 pcs, 5 mm)	1
18	574 87 47-08	SEALING STRIP	Sealing Strip (1 pcs, 5 mm)	1
19	586 34 26-01	COLUMN	Pillar	2
20	586 03 89-01	COVER	Cover Filter	1
21	581 62 12-02	PLUG KIT	Plug KIT	1
22	734 11 37-41	WASHER	Washer	1
23	574 45 01-01	SCREW ITXPANT	Screw	1
24	579 70 87-01	WIRING ASSY	Loom On-Off	1
25	593 25 29-01	BRACKET	Bracket	1
26	594 00 98-01	HOLDER	Holder	1
27	593 24 72-01	BATTERY	Battery	1
28	591 20 36-01	WIRING ASSY	Wiring assy	1

**E** AUTOMOWER 310, 315  
WHEELS & TIRES

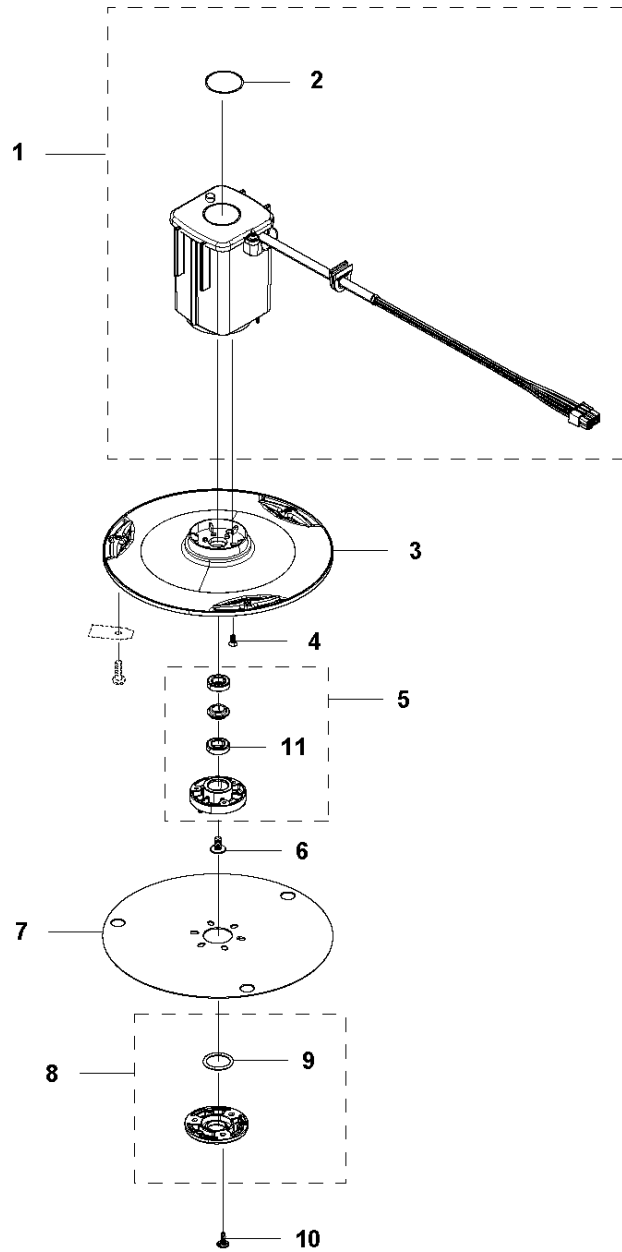


## WHEELS &amp; TIRES

AUTOMOWER 310, 2020-

Ref	Part No	Description	Remark	QTY KIT
1	587 65 19-01	WHEEL KIT	Front Wheel Assy	2
2	576 01 94-02	LOCKWASHER	Lock Washer	2
3	585 19 68-01	WASHER	Washer	2
4	585 21 42-01	BALL BEARING	Ball Bearing	2
5	585 21 42-01	BALL BEARING	Ball Bearing	2
6	535 08 78-02	WASHER	Washer	2
7	585 19 68-01	WASHER	Washer	2
8	585 18 72-01	SPINDLE	Spindle	2
9	587 44 93-01	SHIELD KIT	Shield KIT	2
10	580 48 71-01	SEALING	Sealing	2
11	585 21 42-01	BALL BEARING	Ball Bearing	2
12	579 45 71-01	WHEEL	Wheel Inside	2
13	574 44 98-01	WHEEL	Wheel Tyre	2
14	580 44 51-01	O-RING	O-ring	2
15	585 21 42-01	BALL BEARING	Ball Bearing	2
16	585 19 68-01	WASHER	Washer	2
17	576 01 94-01	LOCKWASHER	Lock Washer	2
18	579 45 72-01	WHEEL	Wheel Outside	2
19	575 54 33-14	SCREW	Screw	6
20	580 44 39-02	O-RING	O-ring	2
21	587 44 94-04	MOTOR KIT	Motor ASSY	1
22	574 45 01-01	SCREW ITXPANT	Screw	8
23	585 06 56-01	COVER	Cover - Rear Wheel	2
24	590 21 75-01	WHEEL	Rear Wheel	2
25	586 21 06-01	WASHER	Washer	2
26	731 43 24-01	HEXAGON THIN NUT	Thin Nut	2
27	579 50 55-02	HUB CAP	Hub Cap	2

**F** AUTOMOWER 310, 315  
BLADE MOTOR & CUTTING EQUIPMENT

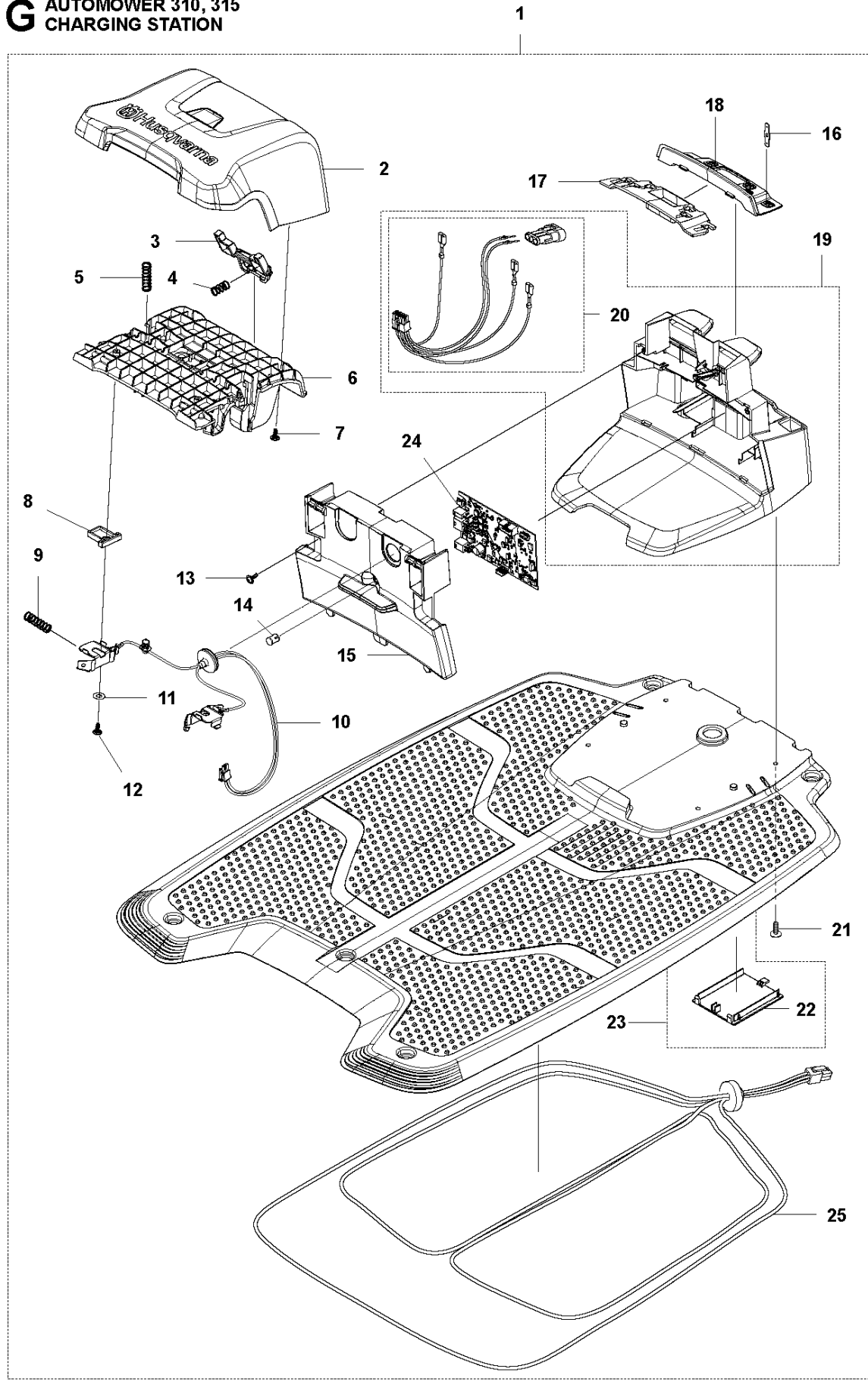


## BLADE MOTOR &amp; CUTTING EQUIPMENT

AUTOMOWER 310, 2020-

Ref	Part No	Description	Remark	QTY KIT
1	501 84 37-01	MOTOR ASSY	Motor ASSY	1
2	577 75 37-01	AIR FILTER	Air Filter	10
3	597 42 22-01	CUTTING DISC	Cutting Disk	1
4	590 50 87-01	SCREW	Screw	3
5	588 42 17-02	BEARING HOUSING ASSY	Bearing Housing ASSY	1
6	535 07 60-01	SCREW	Screw	1
7	597 44 99-01	SKID PLATE	Skid Plate	1
8	587 44 96-01	COVER KIT	Bearing Cover	1
9	585 29 75-01	O-RING	O-Ring	1
10	575 54 33-14	SCREW	Screw	3
11	535 07 57-03	BALL BEARING		1
11	593 08 08-01	BALL BEARING	Tube 50 pcs	1

**G** AUTOMOWER 310, 315  
CHARGING STATION

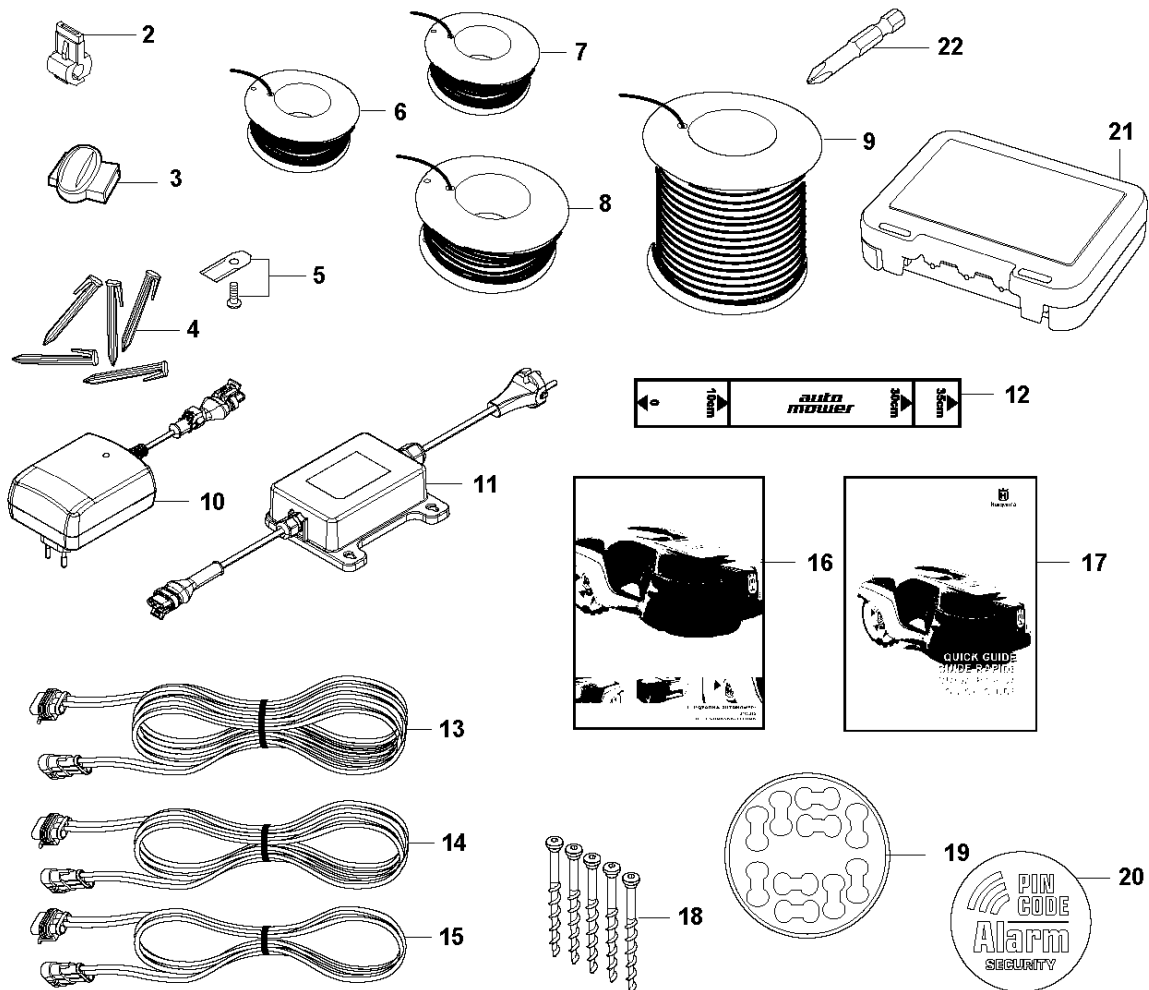
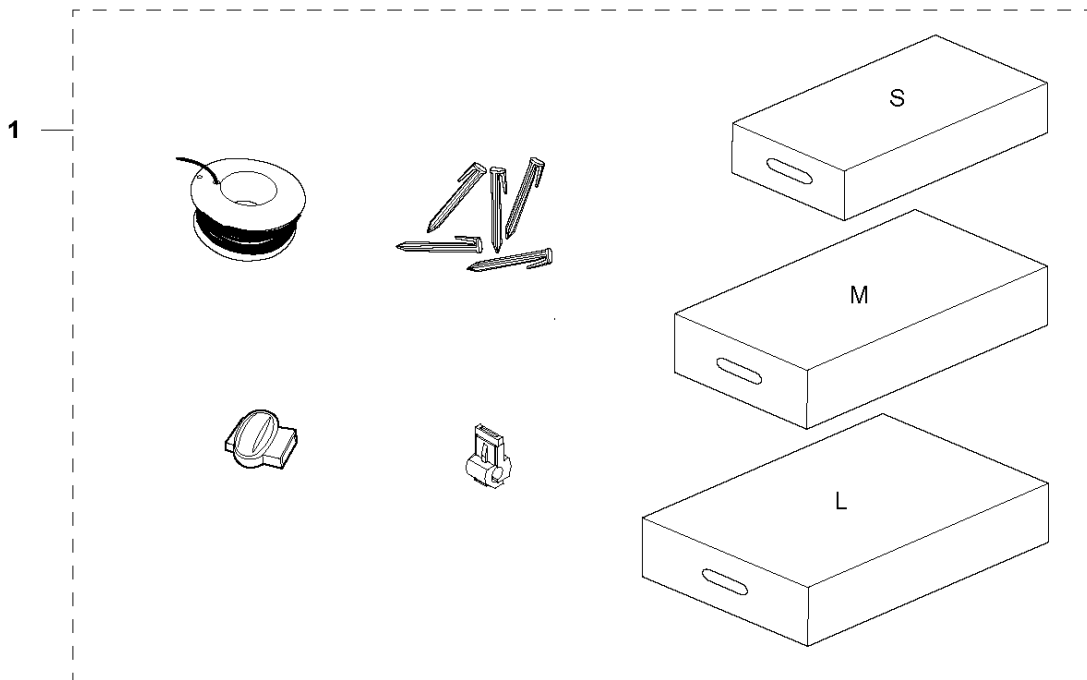


## CHARGING STATION

AUTOMOWER 310, 2020-

Ref	Part No	Description	Remark	QTY	KIT
1	585 16 40-02	CHARGING STATION	Charging Station	1	
2	585 07 11-02	CAP	Cap	1	
3	579 46 24-02	BUTTON	Button - Release	1	
4	574 48 70-01	SPRING	Spring	1	
5	580 51 14-01	SPRING	Spring	2	
6	579 45 80-04	FRAME	Frame	1	
7	575 54 33-14	SCREW	Screw	4	
8	579 46 05-01	SPACER	Distance	2	
9	580 51 14-01	SPRING	Spring	2	
10	585 53 95-02	CABLE ASSY	Loom Charging Contact	1	
11	734 11 37-41	WASHER	Washer	2	
12	575 54 33-14	SCREW	Screw	2	
13	575 54 33-14	SCREW	Screw	2	
14	590 21 72-01	LENS	Lens	1	
15	585 07 14-01	LID	Lid	1	
16	580 50 41-01	TERMINAL	Terminal	3	
17	579 45 98-01	PAN	Panel	1	
18	579 45 99-01	HOLDER	Holder	1	
19	588 41 61-01	HOUSING ASSY	Housing	1	
20	587 65 15-01	LOOM KIT	Loom	1	
21	575 54 33-14	SCREW	Screw	4	
22	585 91 93-01	COVER	Cover	1	
23	587 65 16-02	CHARGING PLATE	Charging Plate KIT	1	
24	592 90 93-02	PRINTED CIRCUIT ASSY	Printed Circuit ASSY	1	
25	590 52 72-01	CABLE ASSY		1	1

# H AUTOMOWER 310, 315 INSTALLATION ACCESSORIES



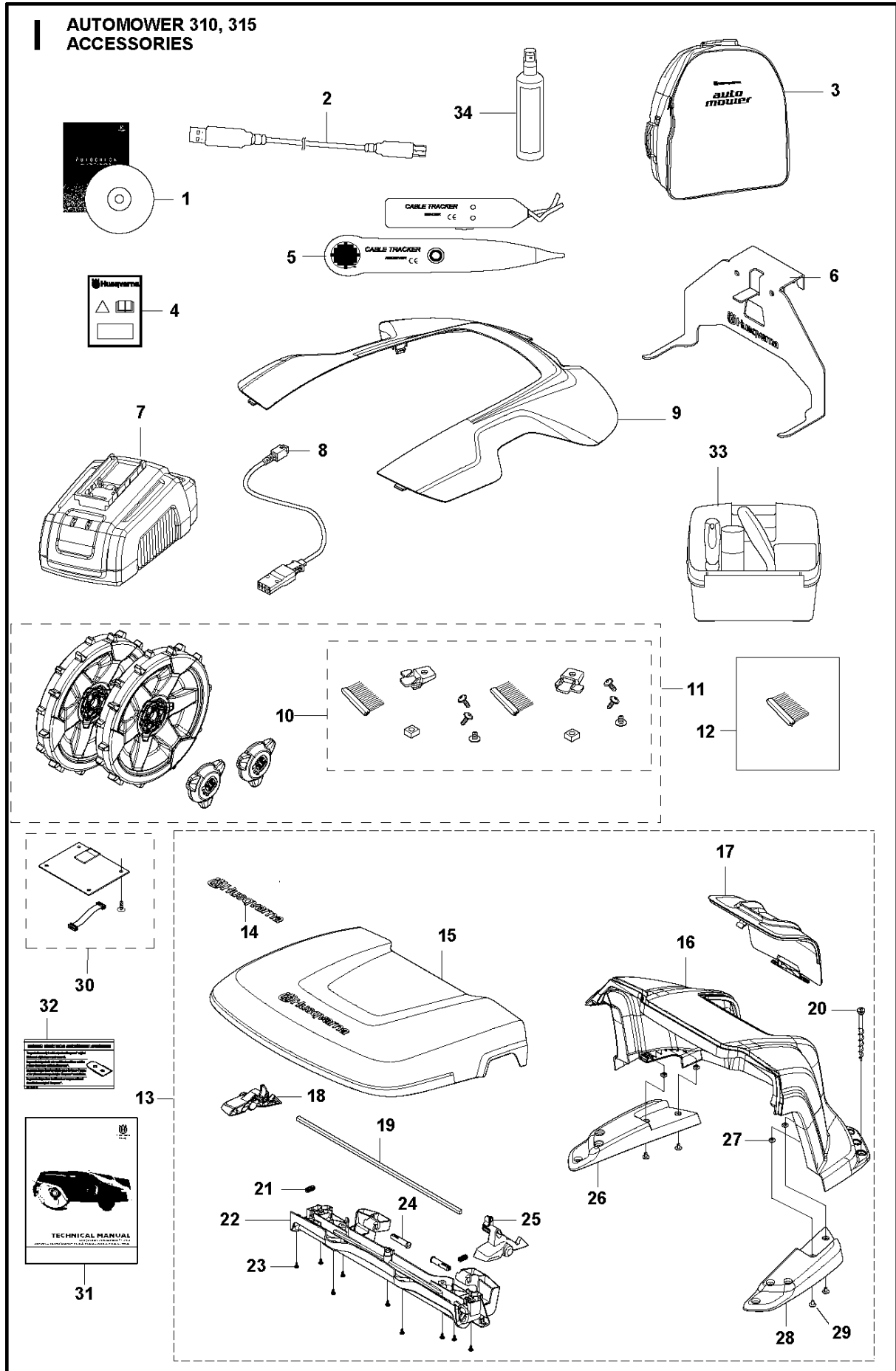


INSTALLATION ACCESSORIES

AUTOMOWER 310, 2020-

Ref	Part No	Description	Remark	QTY KIT
1	967 62 36-01	INSTALLATION KIT	Installation KIT S: Wire (150 m), Staples (300 pcs), Connectors (3 pcs), Couplers (5 pcs)	1
1	967 62 36-02	INSTALLATION KIT	Installation KIT M: Wire (250 m), Staples (400 pcs), Connectors (3 pcs), Couplers (5 pcs)	1
1	967 62 36-03	INSTALLATION KIT	Installation KIT L: Wire (400 m), Staples (600 pcs), Connectors (5 pcs), Couplers (5 pcs)	1
2	535 12 90-01	CONNECTOR	Loop Wire Connector	1
2	577 86 48-01	CONNECTOR	Loop Wire Connector, Blister Pack, 5 pcs	1
2	535 12 90-02	CONNECTOR	Loop Wire Connector, Blister Pack, 100 pcs	1
3	501 98 02-01	COUPLER	Coupler	1
3	577 86 47-01	COUPLER	Coupler, Blister Pack, 5 pcs	2
3	501 98 02-03	COUPLER	Coupler, 100 pcs	1
4	583 97 34-01	STAPLE	Staples, 100 pcs	1
5	577 86 46-03	BLADE SET	Long Life - Safety Blade, Blister Pack, 9 pcs	1
5	577 60 65-05	BLADE SET	Long Life - Safety Blade, 45 pcs	1
5	577 60 66-04	BLADE SET	Long Life - Safety Blade, 300 pcs	1
6	577 86 43-02	WIRE	Wire, Blister Pack, (50 m)	1
6	580 66 20-02	WIRE	Wire (150 m)	1
6	577 86 43-01	WIRE	Wire, Blister Pack, (150 m)	1
7	580 66 20-01	WIRE	Wire (250 m)	1
8	522 91 41-01	WIRE	Wire (500 m)	1
9	580 66 20-04	WIRE	Wire (800 m)	1
10	593 16 36-01	POWER UNIT	Power Supply Unit EU	1
11	590 44 22-02	POWER UNIT	Power Supply Unit UK, IE	1
11	584 86 26-01	POWER UNIT	EU	1
11	590 44 22-03	POWER UNIT	Power Supply Unit CH	1
11	584 86 26-04	POWER UNIT	Power Supply Unit US, CA	1
11	584 86 26-05	POWER UNIT	Power Supply Unit AU, NZ	1
11	584 86 26-06	POWER UNIT	Power Supply Unit JP	1
12	544 17 75-01	MEASURING TAPE	Measuring Tape	1
13	579 82 51-01	CABLE ASSY	Low voltage cable 20m	1
14	579 82 51-02	CABLE ASSY	Low voltage cable 10m	1
15	579 82 51-03	CABLE ASSY	Low voltage cable 3m	1
15	579 82 51-04	CABLE ASSY	Low Voltage Cable (5 m)	1
18	597 43 58-01	ANCHOR	6 pcs+Key	1
19	586 27 79-01	STICKER	Sticker, Cable Markers, 10 pcs	1
20	579 57 12-01	LABEL	Label Alarm	1
21	590 85 50-01	BOX	Cable Connector Protection	1
22	596 33 98-01	TOOL		1

**AUTOMOWER 310, 315  
ACCESSORIES**



## ACCESSORIES

## AUTOMOWER 310, 2020-

Ref	Part No	Description	Remark	QTY KIT
1	577 85 81-03	DVD	DVD Autocheck EXP	1
2	577 51 81-02	CABLE	Service Cable (USB)	1
3	522 91 67-01	BAG	Bag	1
4	580 68 95-02	LABEL	Warranty Seal 1pcs	1
5	577 60 68-01	TEST EQUIPMENT	Interruption Detector	1
6	587 22 40-01	WALL HANGER	Wallhanger 310/315	1
7	588 40 84-01	CHARGER	Quick Charger with Battery Test	1
8	588 20 26-01	CABLE ASSY	Cable Quick Charger	1
9	587 23 58-01	BODY KIT	Top Cover Grey	1
9	587 23 58-02	BODY KIT	Top Cover White	1
9	587 23 58-03	BODY KIT	Top Cover Orange	1
10	587 23 57-01	BRUSH KIT	Wheel Brush KIT (Holder x2, Brush x6)	1
11	587 23 53-01	WHEEL KIT	Terrain KIT (Brush KIT + Rear wheels)	1
12	505 13 28-03	BRUSH	Brush, 6 pcs	1
13	587 23 61-01	HOUSING	House KIT	1
14	577 46 90-01	DECAL	Decal	1
15	585 32 35-01	COVER	Lid	1
16	586 99 38-01	COVER	Cover Base	1
17	585 32 36-01	HATCH	Hatch	1
18	585 32 40-02	HANDLE	Handle Left	1
19	585 32 41-01	ROD	Rod	1
20	575 23 86-01	SCREW KIT	Screw KIT, 6 pcs	1
21	580 51 14-01	SPRING	Spring	2
22	585 34 16-01	BEAM	Beam	1
23	575 54 33-14	SCREW	Screw	9
24	585 34 15-01	HINGE PIN	Hinge Pin	2
25	585 32 40-01	HANDLE	Handle Right	1
26	585 32 38-02	SUPPORT	Support Left	1
27	503 22 66-01	SQUARE NUT	Square Nut	4
28	585 32 38-01	SUPPORT	Support Right	1
29	535 12 93-03	SCREW IHPANM	Screw	4
30	586 66 23-05	GPS MODULE	AMC - Automower Connect KIT	1
31	115 82 03-01	WORKSHOP MANUAL	Technical Handbook -310, 315, Sileno: Swedish	1
31	115 82 03-06	WORKSHOP MANUAL	Technical Handbook -310, 315, Sileno: Danish	1
31	115 82 03-11	WORKSHOP MANUAL	Technical Handbook -310, 315, Sileno: Finnish	1
31	115 82 03-21	WORKSHOP MANUAL	Technical Handbook -310, 315, Sileno: Norwegian	1
31	115 82 03-26	WORKSHOP MANUAL	Technical Handbook -310, 315, Sileno: English	1
31	115 82 03-31	WORKSHOP MANUAL	Technical Handbook -310, 315, Sileno: French	1
31	115 82 03-36	WORKSHOP MANUAL	Technical Handbook -310, 315, Sileno: Dutch	1
31	115 82 03-41	WORKSHOP MANUAL	Technical Handbook -310, 315, Sileno: Italian	1
31	115 82 03-46	WORKSHOP MANUAL	Technical Handbook -310, 315, Sileno: Spanish	1
31	115 82 03-84	WORKSHOP MANUAL	Technical Handbook -310, 315, Sileno: Slovenian	1
31	115 82 03-51	WORKSHOP MANUAL	Technical Handbook -310, 315, Sileno: German	1
31	115820356	TBD	Technical Handbook -310, 315, Sileno: Russian	1
31	115820358	TBD	Technical Handbook -310, 315, Sileno: Hungarian	1
31	115820359	TBD	Technical Handbook -310, 315, Sileno: Portuguese	1
31	115820361	TBD	Technical Handbook -310, 315, Sileno: Polish	1
31	115820362	TBD	Technical Handbook -310, 315, Sileno: Romanian	1

## ACCESSORIES

AUTOMOWER 310, 2020-

Ref	Part No	Description	Remark	QTY KIT
31	115820363	TBD	Technical Handbook -310, 315, Sileno: Estonian	1
31	115820364	TBD	Technical Handbook -310, 315, Sileno: Latvian	1
31	115820365	TBD	Technical Handbook -310, 315, Sileno: Lithuanian	1
31	115820368	TBD	Technical Handbook -310, 315, Sileno: Slovakian	1
31	115820371	TBD	Technical Handbook -310, 315, Sileno: Greek	1
31	115820376	TBD	Technical Handbook -310, 315, Sileno: Turkish	1
31	115820379	TBD	Technical Handbook -310, 315, Sileno: Japanese	1
31	115820381	TBD	Technical Handbook -310, 315, Sileno: Croatian	1
31	115820396	TBD	Technical Handbook -310, 315, Sileno: Spanish (USA)	1
31	115820390	TBD	Technical Handbook -310, 315, Sileno: Czech	1
32	591 37 41-01	DECAL	Original Parts Sticker	1
32	591 37 41-02	DECAL	Original Parts Sticker	1
32	591 37 41-03	DECAL	Original Parts Sticker	1
33	590 85 51-01	KIT		1
34	593 96 79-01	SPRAY		1